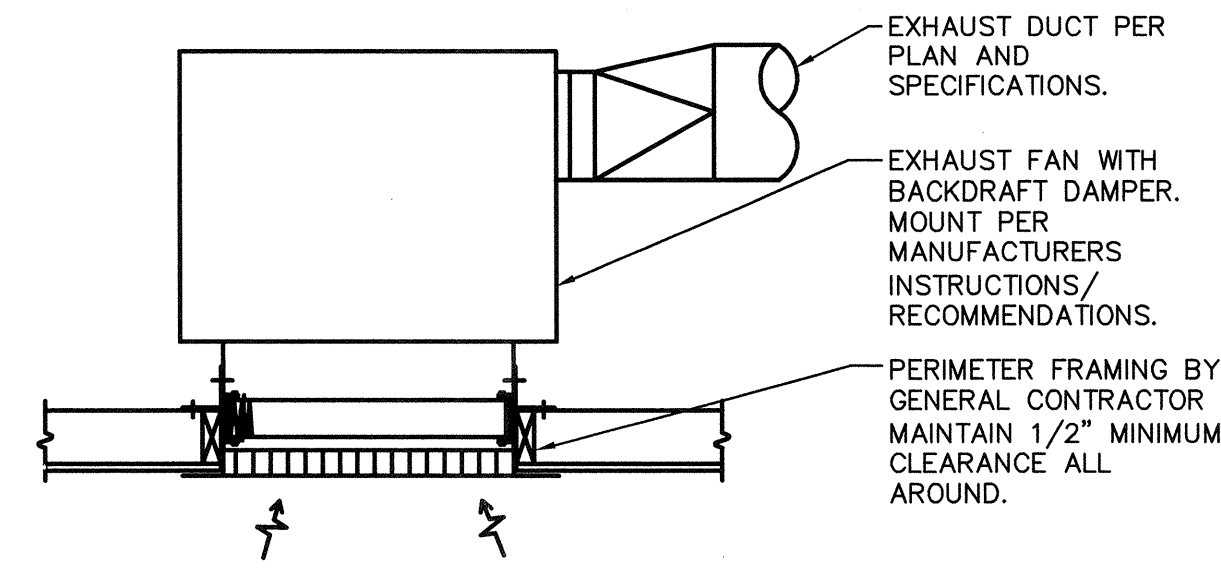
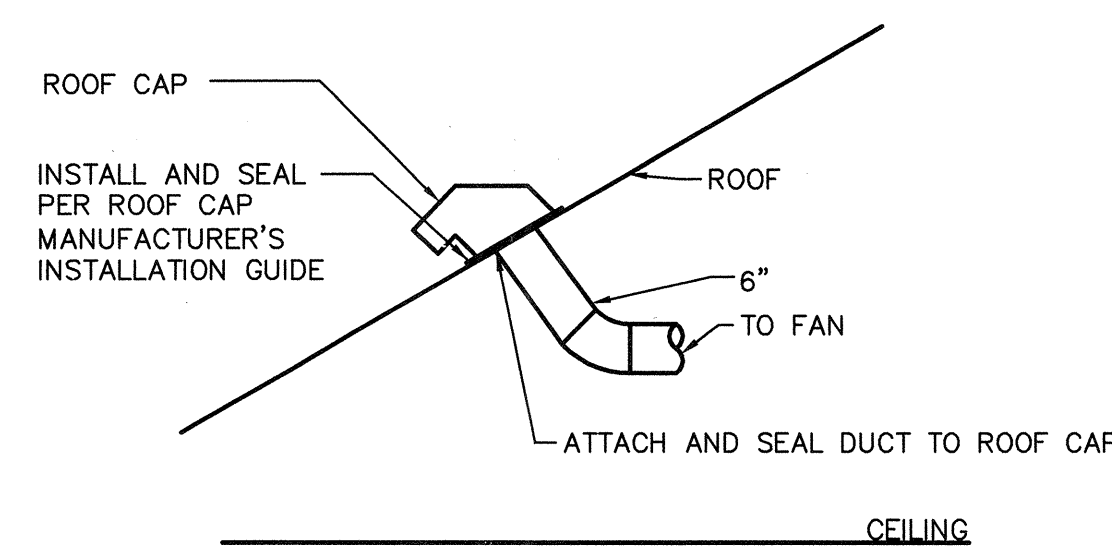


FAN SCHEDULE													
SYMBOL	AREA SERVED	TYPE	DRIVE	AIR FLOW (CFM)	T.S.P. (INH ² O)	MAX RPM	SOUND (SONES)	BASIS OF DESIGN	MAX. WT. (LBS)	ELECTRICAL		CONTROL	REMARKS
										VOLT/PH	HP		
EF-A	BATH	CEILING	DIRECT	110	0.15	1,500	0.7	NUTONE QTXEN110S	15	120/1	50 W	HUMIDISTAT, LIGHT SWITCH	1
RH-A	KITCHEN	KITCHEN HOOD	DIRECT	LOW: 40, HIGH: 160	-	-	LOW: 1	VENMAR VLS 3030	-	120/1	260 W	LOW: CONTINUOUS, HIGH: SWITCH	1
RH-B	KITCHEN	KITCHEN HOOD	DIRECT	LOW: 100, HIGH: 280	-	-	LOW: 1	BROAN QDE	-	120/1	144 W	CABINET SWITCHES - SEE ELECTRICAL	1

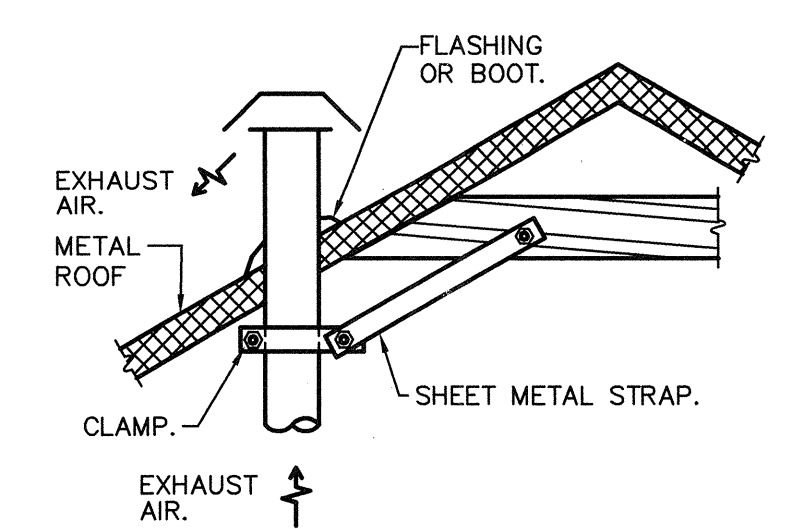
NOTES:
1. PROVIDE WITH ROOF CAP WHERE INDICATED ON PLANS.



1 EXHAUST FAN DETAIL
M-1 NOT TO SCALE



2 EXHAUST DUCTWORK INSTALLATION
M-1 NOT TO SCALE



3 ALTERNATE EXHAUST DUCTWORK INSTALLATION
M-1 NOT TO SCALE

MECHANICAL SYMBOL LIST

* This is a standard list and not all symbols and abbreviations may be used.

	RETURN OR EXHAUST AIR	EXH	EXHAUST
	ROOM THERMOSTAT	F	FAHRENHEIT
	EQUIPMENT IDENTIFICATION	FD	FIRE DAMPER
	DIFFUSER OR GRILLE IDENTIFICATION	FLA	FULL LOAD AMPS
	VOLUME DAMPER	FT	FEET
	FIRE DAMPER	GAL	GALLONS
	MITERED ELBOW WITH TURNING VANES	HP	HORSEPOWER
	RADIUSED ELBOW	HTG	HEATING
	RECTANGULAR DUCT RISER	HTR	HEATER
	ROUND DUCT RISER	ID	INSIDE DIAMETER
	RECTANGULAR DUCT DROP	IN	INCHES
	ROUND DUCT DROP	KW	KILOWATT
	RECTANGULAR OFFSET LESS THAN 15'	LAT	LEAVING AIR TEMPERATURE
	RECTANGULAR OFFSET MORE THAN 15'	LBS.	POUNDS
	FLEXIBLE CONNECTION	MAX	MAXIMUM
		MBH	THOUSAND BTU'S PER HOUR
		MIN	MINIMUM
		N/A	NOT APPLICABLE
		NIC	NOT IN CONTRACT
		NO.	NUMBER
		NTS	NOT TO SCALE
		OBD	OPPOSED BLADE DAMPER
		OC	ON CENTER
		OD	OUTSIDE DIAMETER
		PH	PHASE
		QTY	QUANTITY
		(R)	REMOVE
		R	RISE
		RET	RETURN
		RPM	REVOLUTIONS PER MINUTE
		SIM	SIMILAR
		SF	SQUARE FEET
		SP	STATIC PRESSURE
		TD	TEMPERATURE DIFFERENCE
		TEMP	TEMPERATURE
		TP	TOTAL PRESSURE
		V	VOLT
		W	WATT
		W/	WITH
		WC	WATER COLUMN
		W/O	WITHOUT

SHEET INDEX

- M-1 SYMBOLS, DETAILS, & SCHEDULES - HVAC
- M-2 DEMO & NEW FOURPLEX PLANS - HVAC
- M-3 DEMO & NEW DUPLEX PLANS - EASTWOOD CT. - HVAC
- M-4 DEMO & NEW ADA UNIT PLANS - EASTWOOD CT. - HVAC



EASTWOOD CT. AND CARLTON CT. MODERNIZATION
 CARLTON - 5249 NE KILLINGSWORTH ST. PORT, OR 97218
 EASTWOOD - 18210 SE YAMHILL ST. PORT., OR. 97236
 PROJECTS NO. RFB 0110-96
 SITE AND DWELLING IMPROVEMENTS

SHEET TITLE
SYMBOLS, DETAILS & SCHEDULES HVAC

DATE: JUNE 2010
 DRAWN BY: QB
 FILE NAME: CARLTON/EASTWD.

REVISIONS	DATE

DRAWING NO.
M-1
 SHEET NO.
 X OF 1

PROJECT 2010-0047
 CONTACT TED SCHLANSER

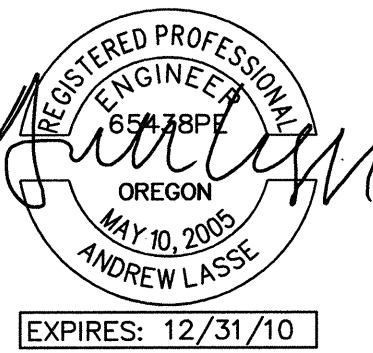
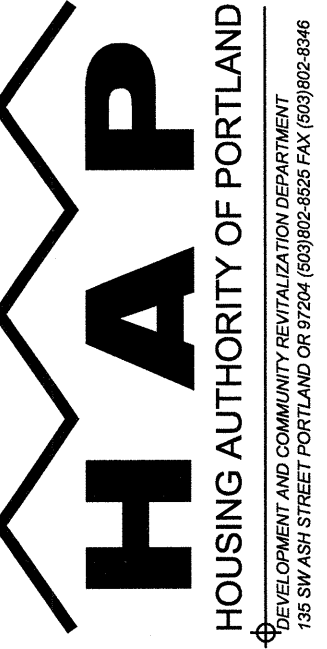
 708 SW Third Avenue
 Suite 400
 Portland, OR 97204
 TEL 503.382.2266
 FAX 503.382.2262
 www.interfaceengineering.com

GENERAL SHEET NOTES

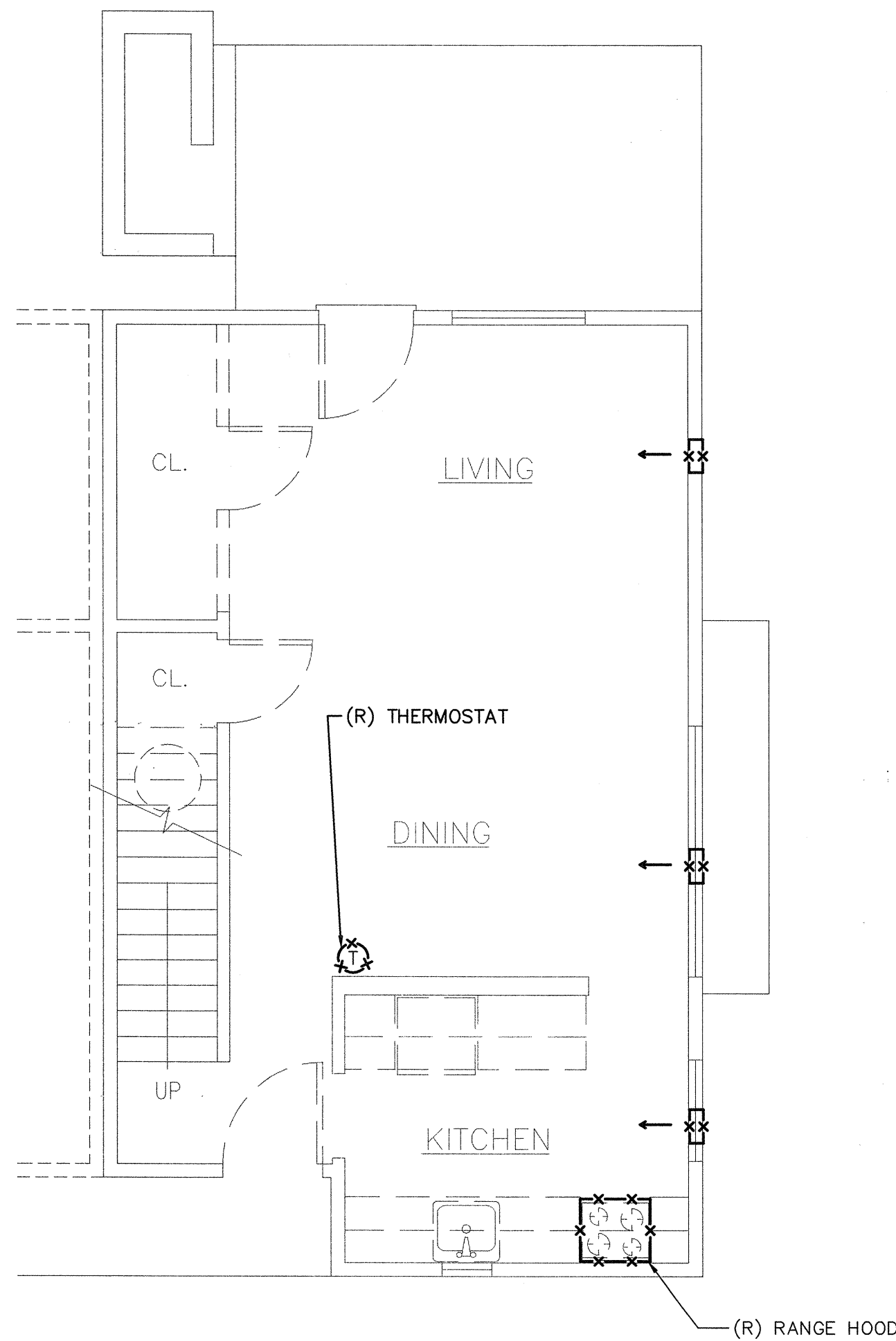
- A. SEE ELECTRICAL PLANS FOR NEW ELECTRIC HEATER LAYOUT.
- B. PROVIDE PATCHING AND PAINTING OF WALLS AND CEILINGS AS NEEDED WHERE EQUIPMENT IS BEING REMOVED. SEE ARCHITECTURAL.

SHEET KEYNOTES

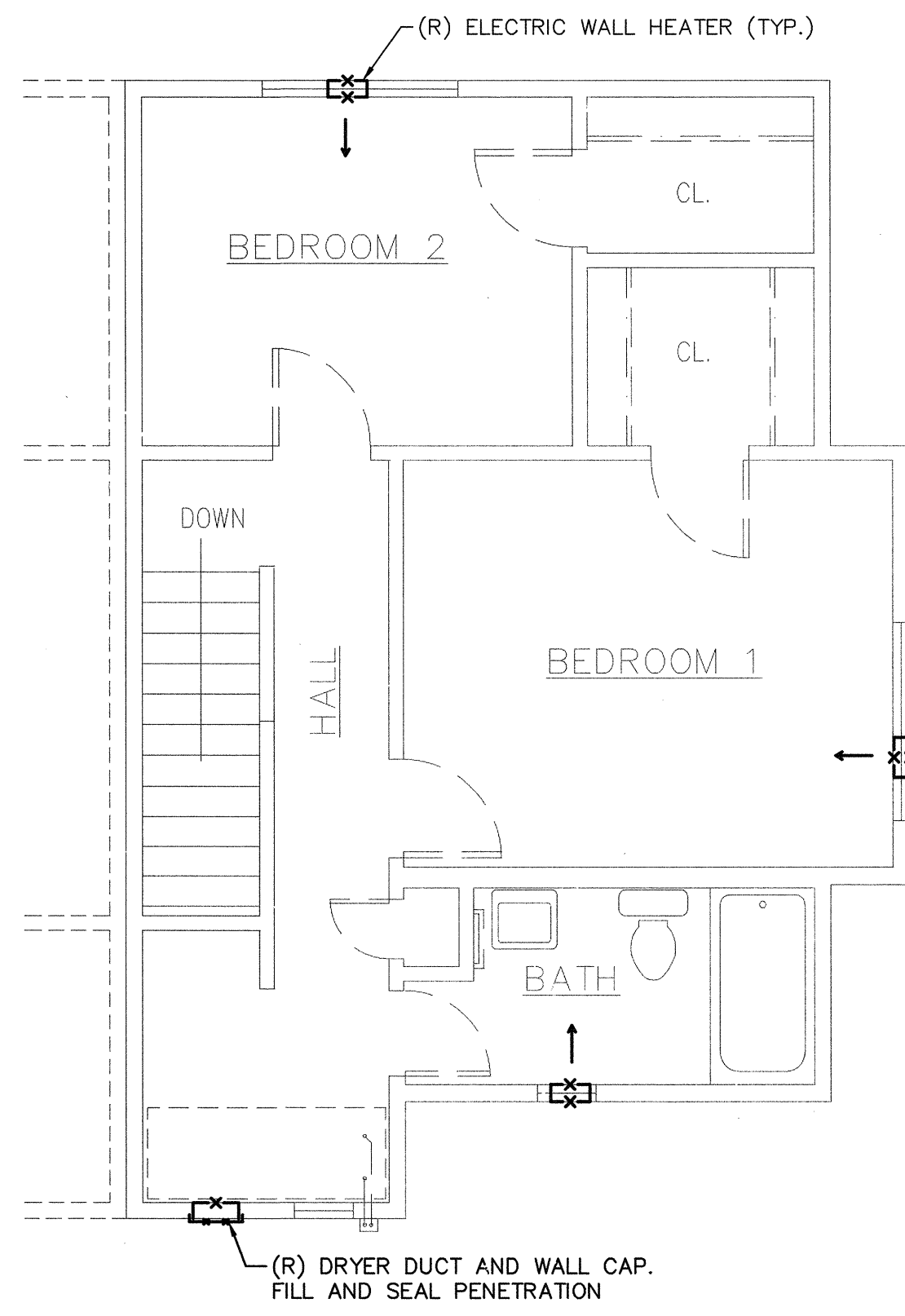
- 1 ROUTE RIGID DRYER DUCT IN WALL BEHIND DRYER AND CONNECT TO WALL BOX. WALL BOX PROVIDED BY ARCHITECTURAL. MODIFY FRAMING IN WALL TO ACCOMMODATE DUCT IN WALL. PROVIDE DUCT FLANGE WHERE PENETRATING INTO WALLS. DO NOT EXCEED 25 FEET EQUIVALENT DUCT LENGTH PER OMSC 504.6.1.



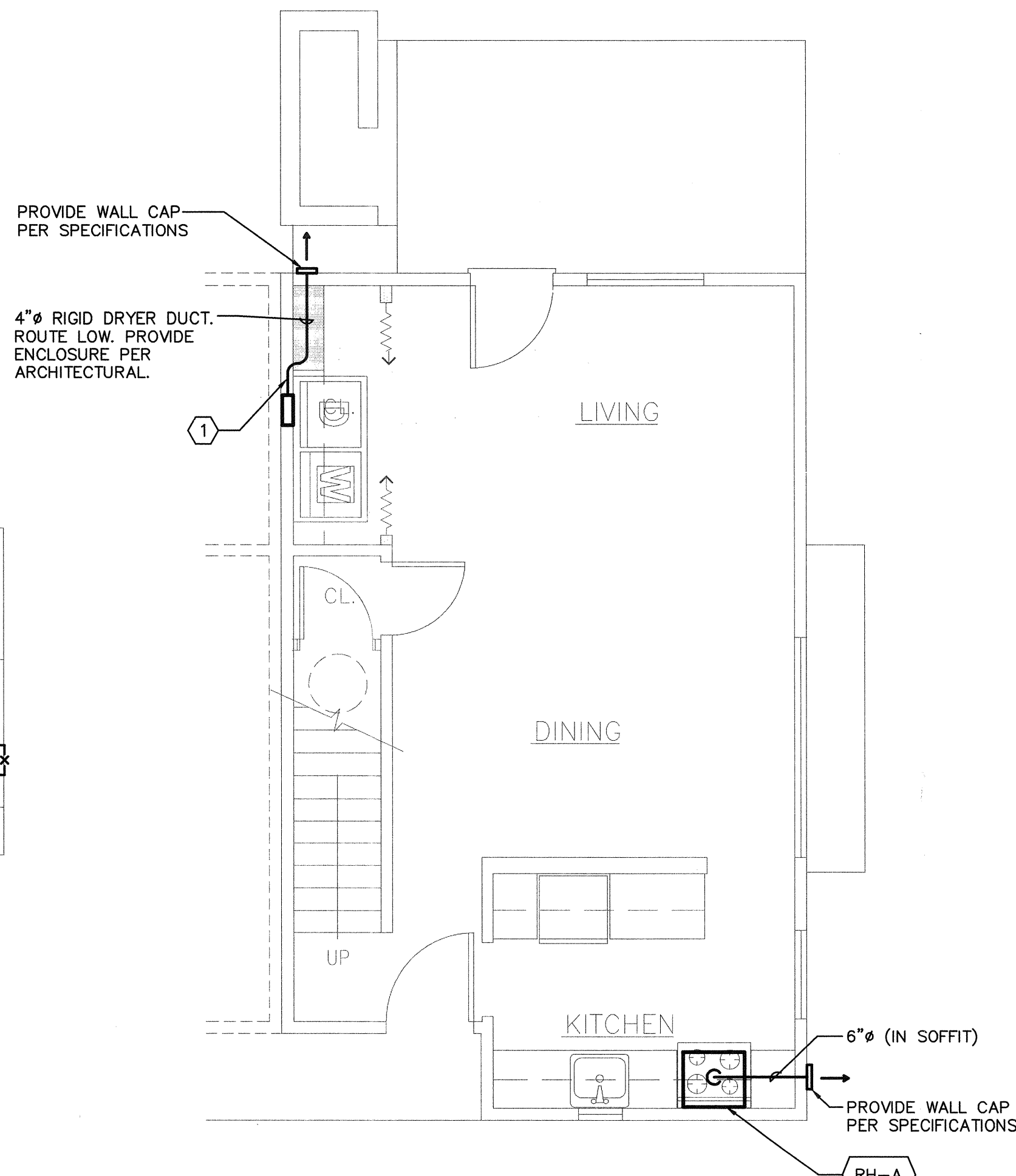
EASTWOOD CT. AND CARLTON CT. MODERNIZATION
 CARLTON - 5249 NE KILLINGSWORTH ST. PORT, OR 97218
 EASTWOOD - 18210 SE YAMHILL ST. PORT., OR. 97236
 PROJECTS NO. RFB 0110-86
 SITE AND DWELLING IMPROVEMENTS



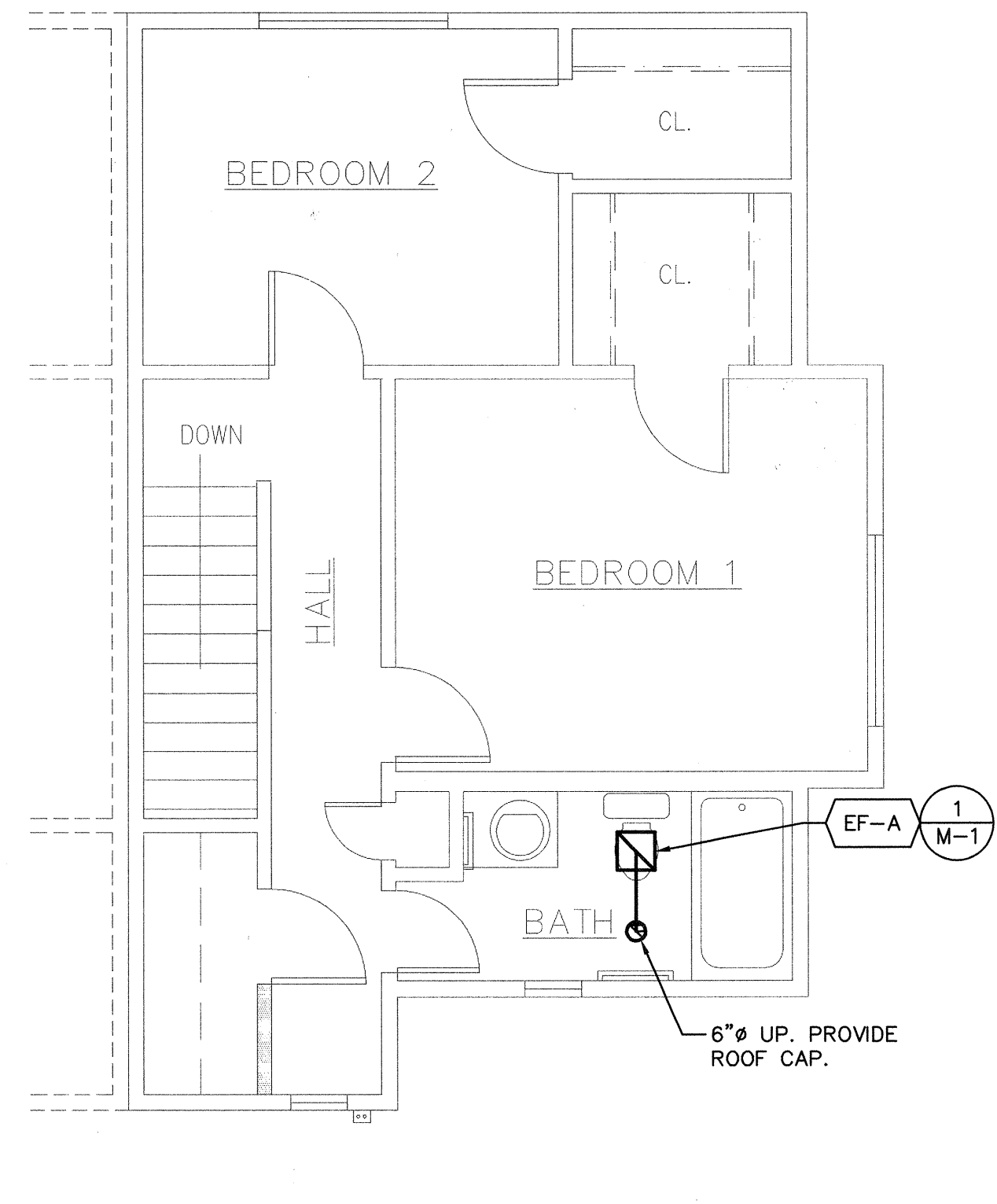
1
M-3
DEMOLITION
FIRST FLOOR PLAN - HVAC
SCALE: 1/4"=1'-0"



2
M-3
DEMOLITION
SECOND FLOOR PLAN - HVAC
SCALE: 1/4"=1'-0"



3
M-3
NEW
FIRST FLOOR PLAN - HVAC
SCALE: 1/4"=1'-0"



4
M-3
NEW
SECOND FLOOR PLAN - HVAC
SCALE: 1/4"=1'-0"

SHEET TITLE
**DEM & NEW
 DUPLEX PLANS
 EASTWOOD CT.
 HVAC**

DATE: JUNE 2010
 DRAWN BY: QB
 FILE NAME: CARLTON/EASTWD.

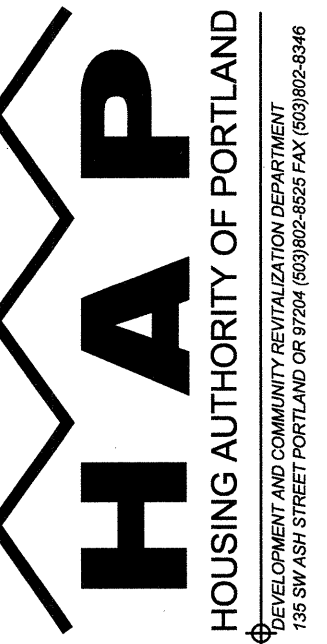
REVISIONS	DATE

DRAWING NO.
M-3
 SHEET NO.
 X OF 1

PROJECT 2010-0047
 CONTACT TED SCHLANSER
INTERFACE
 ENGINEERING
 708 SW Third Avenue
 Suite 400
 Portland, OR 97204
 TEL 503.382.2266
 FAX 503.382.2262
 www.interfaceengineering.com

GENERAL SHEET NOTES

- A. SEE ELECTRICAL PLANS FOR NEW ELECTRIC HEATER LAYOUT.
- B. PROVIDE PATCHING AND PAINTING OF WALLS AND CEILINGS AS NEEDED WHERE EQUIPMENT IS BEING REMOVED. SEE ARCHITECTURAL.



EXPIRES: 12/31/10

EASTWOOD CT. AND CARLTON CT. MODERNIZATION
 CARLTON - 5249 NE KILLINGSWORTH ST. PORT, OR 97218
 EASTWOOD - 18210 SE YAMHILL ST. PORT, OR. 97236

SITE AND DWELLING IMPROVEMENTS PROJECTS NO. RFB 01/10-06

SHEET TITLE

**DEMO & NEW ADA
 UNIT PLANS
 EASTWOOD CT.
 HVAC**

DATE: JUNE 2010
 DRAWN BY: QB
 FILE NAME: CARLTON/EASTWD.

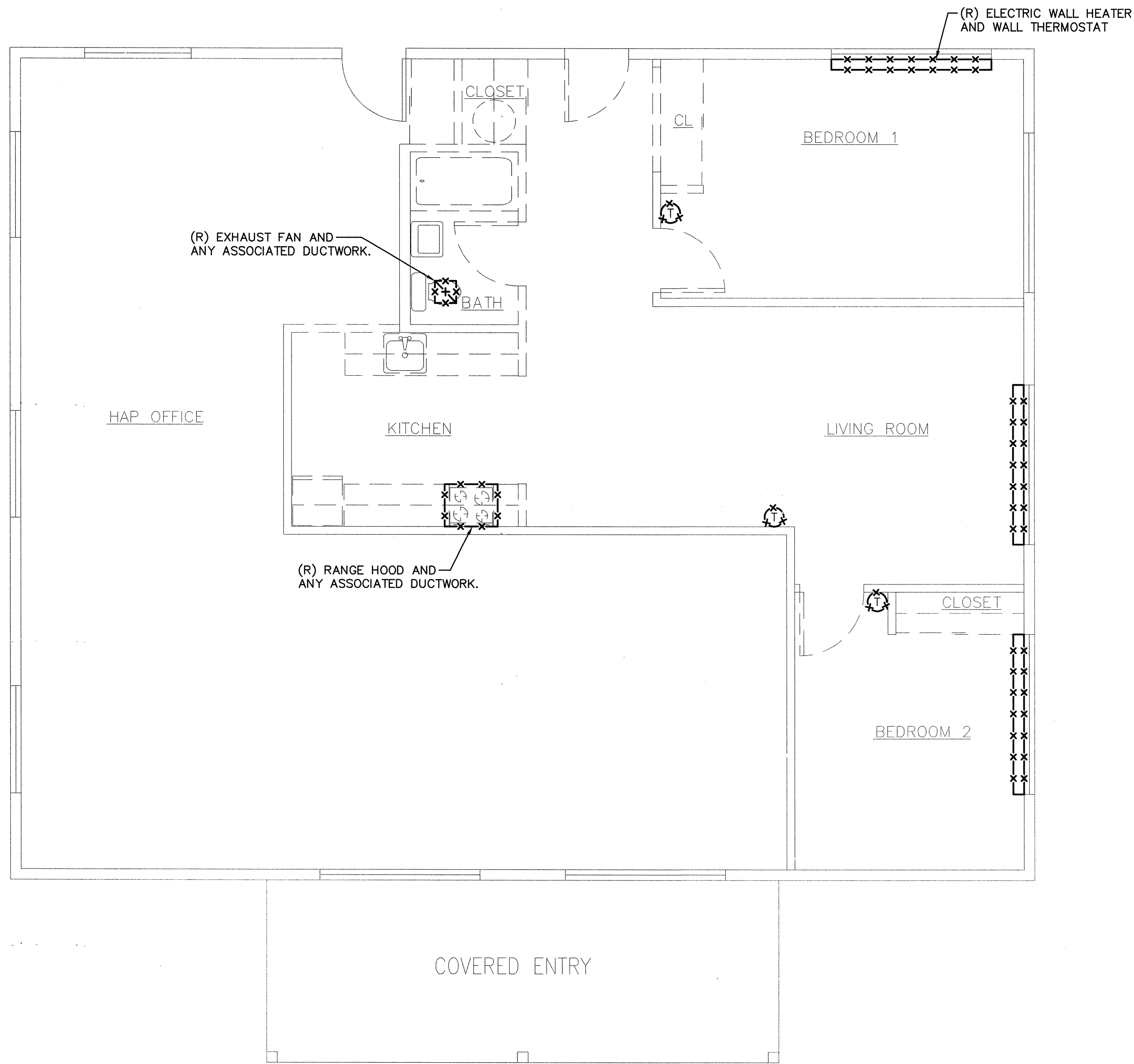
REVISIONS	DATE

DRAWING NO.

M-4

SHEET NO.

X OF **1**

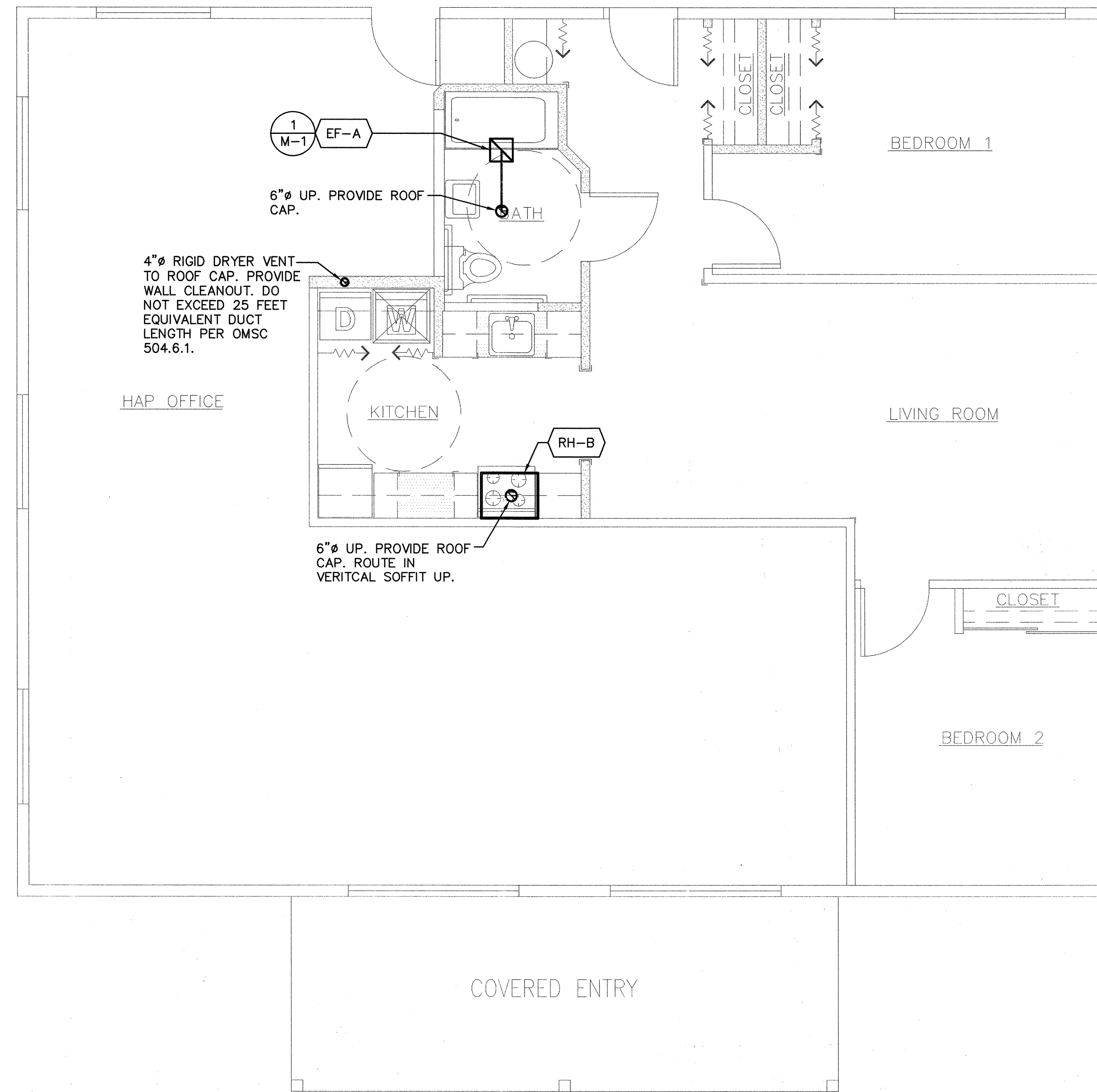


**DEMOLITION
 FLOOR PLAN - HVAC**

2
 M-4

0 2' 4' 8'

SCALE: 1/4"=1'-0"



**NEW
 FLOOR PLAN - HVAC**

2
 M-4

0 2' 4' 8'

SCALE: 1/4"=1'-0"

PROJECT 2010-0047
 CONTACT TED SCHLANER

**INTERFACE
 ENGINEERING**

708 SW Third Avenue
 Suite 400
 Portland, OR 97204
 TEL 503.382.2264
 FAX 503.382.2262
 www.interfaceengineering.com