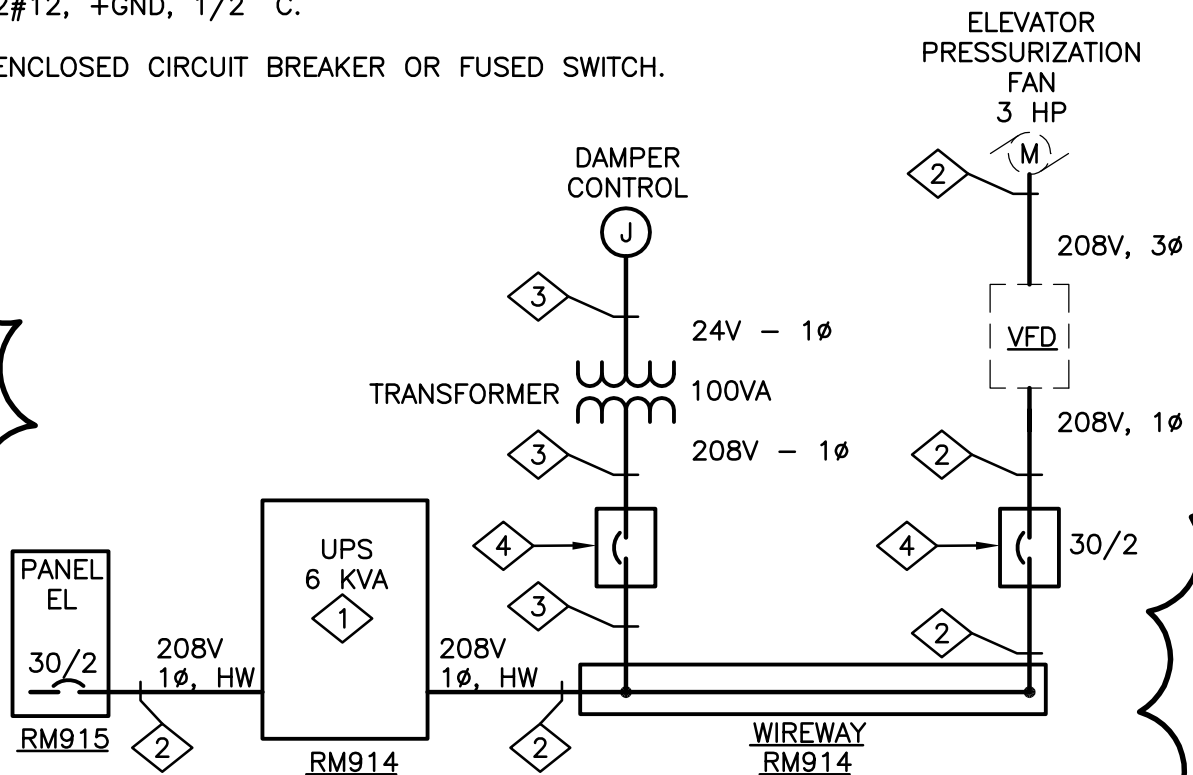


REFERENCED NOTES

- 1 6 KVA UPS, POWERWARE 9135, HARDWIRED 208 VOLT INPUT AND 208 VOLT OUTPUT, 20 MINUTE BATTERY BACKUP.
- 2 2#10, +GND, 1/2" C.
- 3 2#12, +GND, 1/2" C.
- 4 ENCLOSED CIRCUIT BREAKER OR FUSED SWITCH.



4 ELEVATOR PRESSURIZATION - EM POWER

TITLE: ELEVATOR PRESSURIZATION - EM POWER (4/E1)

DATE: 08/16/10

PROJECT: INNOVATIVE HOUSING BLOCK
5th and College, Portland, OR

HK Electrical Engineers LLC

15365 SW DIVISION ST.
SHERWOOD, OR 97140

PHONE: (503) 625-4443
FAX: (503) 625-4187

JOB No:

SHEET NO:
ESK-2